



For more Hi-Fi manuals and set-up information  
please visit [www.hifiengine.com](http://www.hifiengine.com)

# HOME THEATER SOUND SPEAKER SYSTEM NS-P240/NS-P246

## SERVICE MANUAL

NS-P240/NS-P246 is composed of NX-S120, NX-C120 and SW-P240.  
NS-P240/NS-P246は、NX-S120・NX-C120・SW-P240で構成されています。

### IMPORTANT NOTICE

This manual has been provided for the use of authorized YAMAHA Retailers and their service personnel. It has been assumed that basic service procedures inherent to the industry, and more specifically YAMAHA Products, are already known and understood by the users, and have therefore not been restated.

**WARNING:** Failure to follow appropriate service and safety procedures when servicing this product may result in personal injury, destruction of expensive components, and failure of the product to perform as specified. For these reasons, we advise all YAMAHA product owners that any service required should be performed by an authorized YAMAHA Retailer or the appointed service representative.

**IMPORTANT:** The presentation or sale of this manual to any individual or firm does not constitute authorization, certification or recognition of any applicable technical capabilities, or establish a principle-agent relationship of any form.

The data provided is believed to be accurate and applicable to the unit(s) indicated on the cover. The research, engineering, and service departments of YAMAHA are continually striving to improve YAMAHA products. Modifications are, therefore, inevitable and specifications are subject to change without notice or obligation to retrofit. Should any discrepancy appear to exist, please contact the distributor's Service Division.

**WARNING:** Static discharges can destroy expensive components. Discharge any static electricity your body may have accumulated by grounding yourself to the ground buss in the unit (heavy gauge black wires connect to this buss).

**IMPORTANT:** Turn the unit OFF during disassembly and part replacement. Recheck all work before you apply power to the unit.

## CONTENTS


TO SERVICE PERSONNEL .....	2	SW-P240 BLOCK DIAGRAM .....	8
FRONT PANELS .....	2	SW-P240 PRINTED CIRCUIT BOARD .....	9
REAR PANELS .....	3-4	SW-P240 SCHEMATIC DIAGRAM .....	10
SPECIFICATIONS / 参考仕様 .....	4-6	PARTS LIST .....	11-15
SW-P240 INTERNAL VIEW .....	6		
SW-P240 DISASSEMBLY PROCEDURES /			
SW-P240分解手順 .....	7		

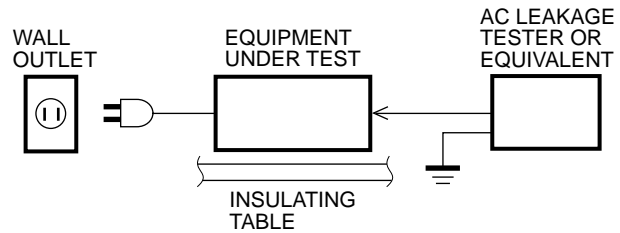


このサービスマニュアルは、エコマーク認定の再生紙を使用しています。  
This Service Manual uses recycled paper.



## ■ TO SERVICE PERSONNEL

1. **Critical Components Information**  
Components having special characteristics are marked  and must be replaced with parts having specifications equal to those originally installed.
2. **Leakage Current Measurement (For 120V Models Only)**  
When service has been completed, it is imperative to verify that all exposed conductive surfaces are properly insulated from supply circuits.
  - Meter impedance should be equivalent to 1500 ohm shunted by 0.15μF.



- Leakage current must not exceed 0.5mA.
- Be sure to test for leakage with the AC plug in both polarities.

## WARNING: CHEMICAL CONTENT NOTICE!

The solder used in the production of this product contains LEAD. In addition, other electrical/electronic and/or plastic (where applicable) components may also contain traces of chemicals found by the California Health and Welfare Agency (and possibly other entities) to cause cancer and/or birth defects or other reproductive harm.

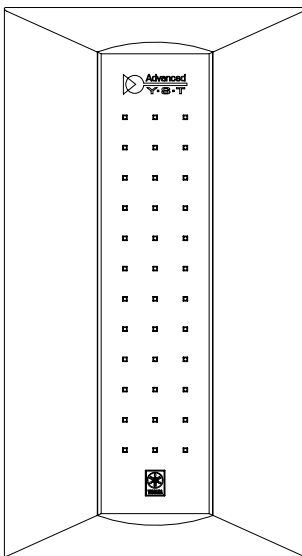
**DO NOT PLACE SOLDER, ELECTRICAL/ELECTRONIC OR PLASTIC COMPONENTS IN YOUR MOUTH FOR ANY REASON WHATSOEVER!**

Avoid prolonged, unprotected contact between solder and your skin! When soldering, do not inhale solder fumes or expose eyes to solder/flux vapor!

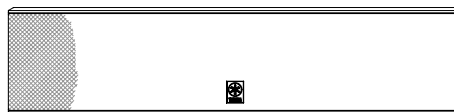
If you come in contact with solder or components located inside the enclosure of this product, wash your hands before handling food.

## ■ FRONT PANELS

### ▼ SW-P240

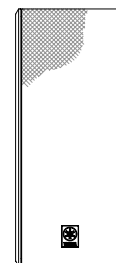


### ▼ NX-C120



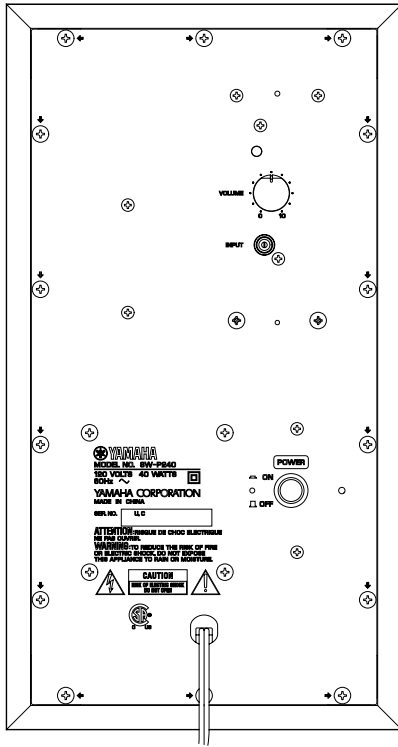
### ▼ NX-S120

x 4 (for NS-P240)  
x 5 (for NS-P246)

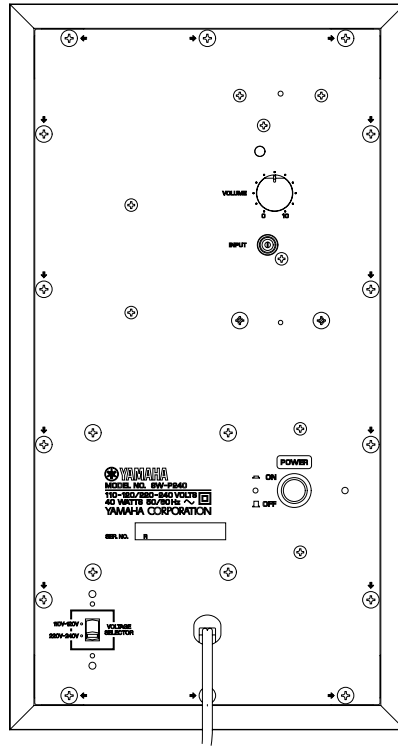


# REAR PANELS

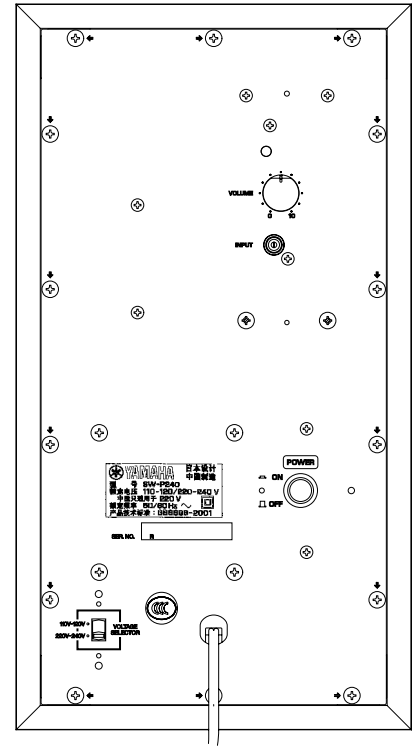
▼ SW-P240 (U, C models)



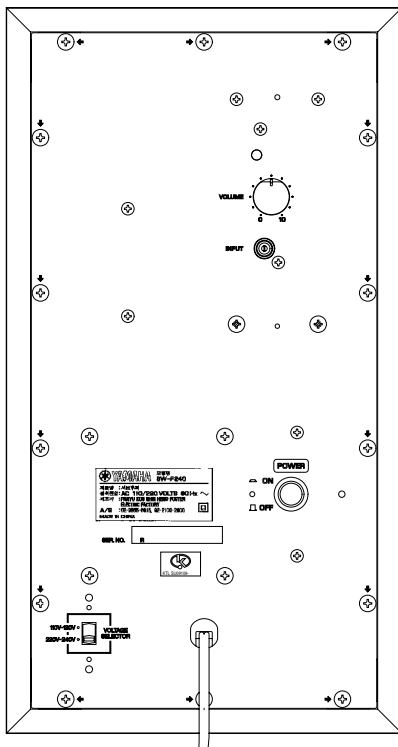
▼ SW-P240 (R, L models)



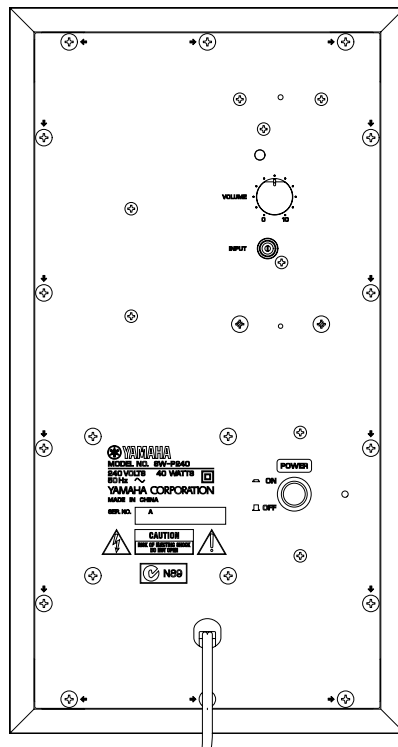
▼ SW-P240 (T model)



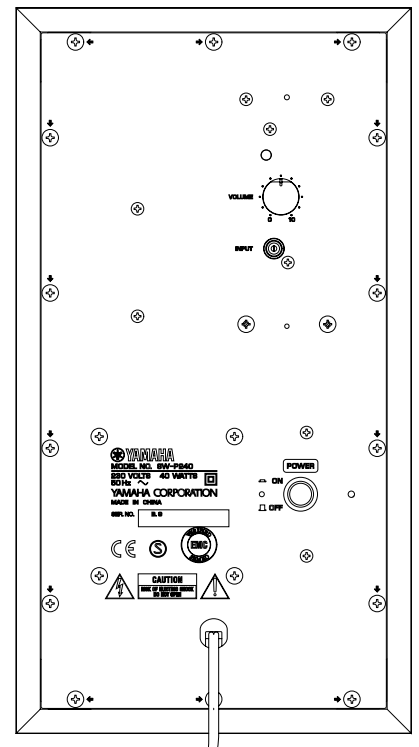
▼ SW-P240 (K model)



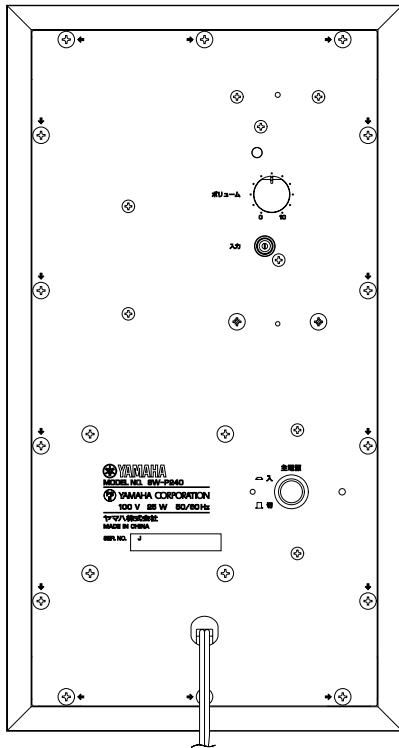
▼ SW-P240 (A model)



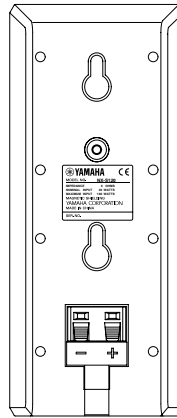
▼ SW-P240 (B, G models)



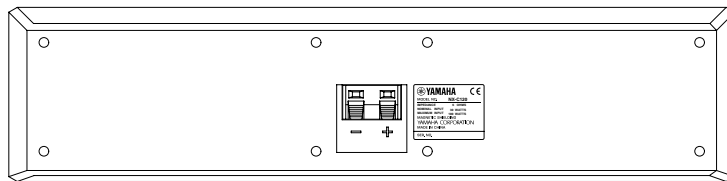
## ▼ SW-P240 (J model)



## ▼ NX-S120



## ▼ NX-C120



## ■ SPECIFICATIONS / 参考仕様

## ● NX-S120

Type / 型式 ..... Full Range Acoustic Suspension  
Magnetic Shielding Type

Driver / スピーカーユニット

. 5 cm (2") Cone Magnetic Shielding Type x 2

Frequency Response / 再生周波数帯域

..... 100 Hz to 25 kHz

Impedance / インピーダンス ..... 6 ohms

Nominal Input / 許容入力 ..... 30 W

Maximum Input / 最大入力 ..... 100 W

Sensitivity / 出力音圧レベル ..... 86 dB/2.83 V/m

Input Terminal / 入力端子 ..... Push Type

Dimensions (W x H x D) / 寸法 (幅 x 高さ x 奥行き)

..... 72 mm x 170 mm x 108 mm  
(2-13/16" x 6-11/16" x 4-1/4")

Weight / 質量 ..... 0.9 kg (2 lbs.)

Finish / 仕上げ ..... Silver color  
Black color

Appropriate Speaker Stand / 適応スピーカースタンド ... SPS-80

Appropriate Speaker Bracket / 適応ブラケット ... SPM-8S

## ● NX-C120

Type / 型式 ..... Full Range Acoustic Suspension  
Magnetic Shielding Type

Driver / スピーカーユニット

. 5 cm (2") Cone Magnetic Shielding Type x 2

Frequency Response / 再生周波数帯域

..... 100 Hz to 25 kHz

Impedance / インピーダンス ..... 6 ohms

Nominal Input / 許容入力 ..... 30 W

Maximum Input / 最大入力 ..... 100 W

Sensitivity / 出力音圧レベル ..... 86 dB/2.83 V/m

Input Terminal / 入力端子 ..... Push Type

Dimensions (W x H x D) / 寸法 (幅 x 高さ x 奥行き)

..... 300 mm x 72 mm x 105 mm  
(11-13/16" x 2-13/16" x 4-1/8")

Weight / 質量 ..... 1.1 kg (2 lbs. 6 oz.)

Finish / 仕上げ ..... Silver color  
Black color

## ● SW-P240

**Type / 型式** . . . . . Advanced Yamaha Active Servo Technology

**Output Power / 出力** . . . . . 50 W (100 Hz, 5 ohms, 10 % THD)

**Dynamic Power / ダイナミックパワー** . . . . . 100 W, 5 ohms

**Input Impedance / 入力インピーダンス**

INPUT (PJ) . . . . . 12 k-ohms

**Frequency Response / 再生周波数帯域** . . . . . 30 Hz to 200 Hz

**Driver / スピーカーユニット** . . . . . 16 cm (6-1/2") cone  
Magnetic Shielding Type

**Input Section / 入力部**

INPUT . . . . . RCA Pin Jack

**Power Supply / 電源**

U, C models . . . . . AC 120 V, 60 Hz

R, T, K, L models . . AC 110-120/220-240 V, 50/60 Hz

A model . . . . . AC 240 V, 50 Hz

B, G models . . . . . AC 230 V, 50 Hz

J model . . . . . AC 100 V, 50/60 Hz

**Power Consumption / 消費電力**

U, C, A, B, G, R, T, K, L models . . . . . 40 W

J model . . . . . 25 W

**Dimensions (W x H x D) / 寸法 (幅 x 高さ x 奥行き)**

. . . . . 200 mm x 365 mm x 390 mm  
(7-7/8" x 14-7/20" x 15-5/16")

**Weight / 質量** . . . . . 8.4 kg (18 lbs. 8 oz.)

**Finish / 仕上げ**

Silver color . . . . . U, C, R, T, K, A, B, G, L, J models

Black color . . . . . U, C, R, A, G models

## ● Accessories / 付属品

**NS-P240** . . . . . Subwoofer Cable (5m) x 1  
Nonskid Pad x 4 (for subwoofer)  
Speaker Cable (15 m) x 2  
Speaker Cable (4 m) x 3  
Nonskid Pads x 16  
Mounting Bracket x 4, Screws x 4  
Fasteners x 2

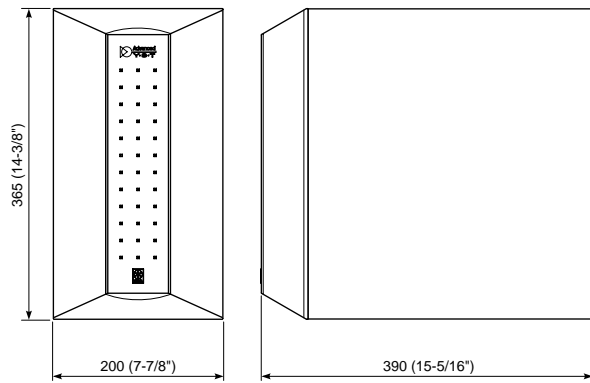
**NS-P246** . . . . . Subwoofer Cable (5m) x 1  
Nonskid Pad x 4 (for subwoofer)  
Speaker Cable (15 m) x 3  
Speaker Cable (4 m) x 3  
Nonskid Pads x 20  
Mounting Bracket x 5, Screws x 5  
Fasteners x 2

\* Specifications subject to change without notice.

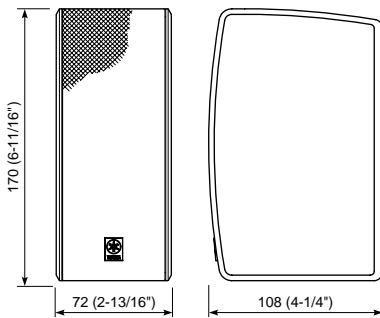
*U* ..... *USA model*  
*C* ..... *Canadian model*  
*R* ..... *General model*  
*T* ..... *Chinese model*  
*K* ..... *Korean model*  
*A* ..... *Australian model*  
*B* ..... *British model*  
*G* ..... *European model*  
*L* ..... *Singapore model*  
*J* ..... *Japanese model*

**DIMENSIONS / 寸法図**

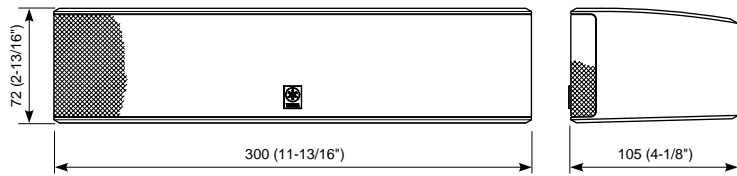
● **SW-P240**



● **NX-S120**

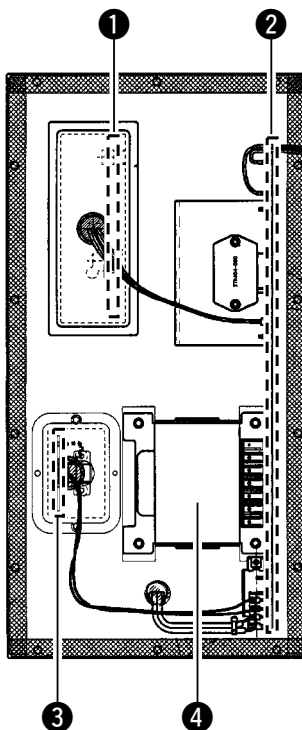


● **NX-C120**



Unit : mm (inch)

■ **SW-P240 INTERNAL VIEW**



- ① MAIN (2) P.C.B.
- ② MAIN (1) P.C.B.
- ③ MAIN (3) P.C.B.
- ④ POWER TRANSFORMER

## ■ SW-P240 DISASSEMBLY PROCEDURES / SW-P240分解手順

(Remove parts in disassembly order as numbered.)

(番号順に部品を取り外してください。)

### 1. Removal of Front Grille

**The Front Grille is fixed to the cabinet with dowels at 6 locations. As a screwdriver (for slotted head screw) is used for removal, use special care not to cause damage to the cabinet.**

- Using the screwdriver inserted in the gap between the Front Grille and the cabinet (bottom side first), push up the Front Grille.
- Remove the Front Grille by lifting it up.

\* **When installing the Front Grille, apply quick-drying bond to the dowels and then fit them into dowel holes for secure installation. (The Front Grille will come off easily if its dowels are fitted into dowel holes only.)**

### 2. Removal of Rear Panel

Remove 14 screws ( ① ) in Fig. 2.

\* **Arrow marks ( ⇒ ) are printed to identify the screws to be removed.**

\* **When assembling the Rear Panel, check to ensure that the packing is not damaged so as to prevent air leakage from occurring.**

### 1. フロントグリルの外し方

フロントグリルは6箇所のダボで固定されています。取り外しの際、本体に傷が付かないよう十分注意してください。

- 底側からマイナスドライバー等を差し込み、フロントグリルを押し上げます。(Fig. 1)
- 徐々に上面へマイナスドライバー等で押し上げて、フロントグリルを外します。

\* 取り付け時には、フロントグリルのダボに速乾ボンドなどを塗って差し込み、固定してください。(フロントグリルを差し込むだけでは、簡単にはずれてしまいます。)

### 2. リアパネルの外し方

①のネジ14本を外し、リアパネルを取り出します。

(Fig. 2)

\* 取り外すネジの箇所には矢印(マーク)が印刷されています。

\* 組み立ての際は、パッキングの損傷など無いことを確認し、エアリークが発生しないように組み立ててください。

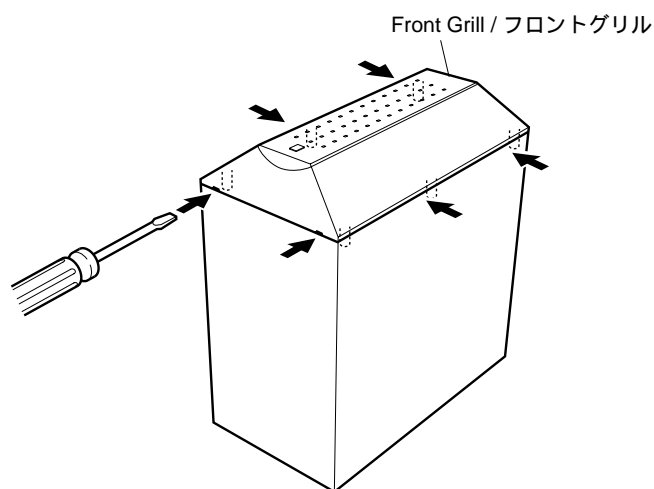


Fig. 1

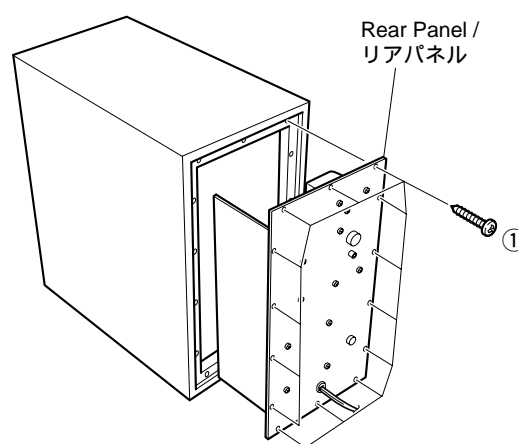
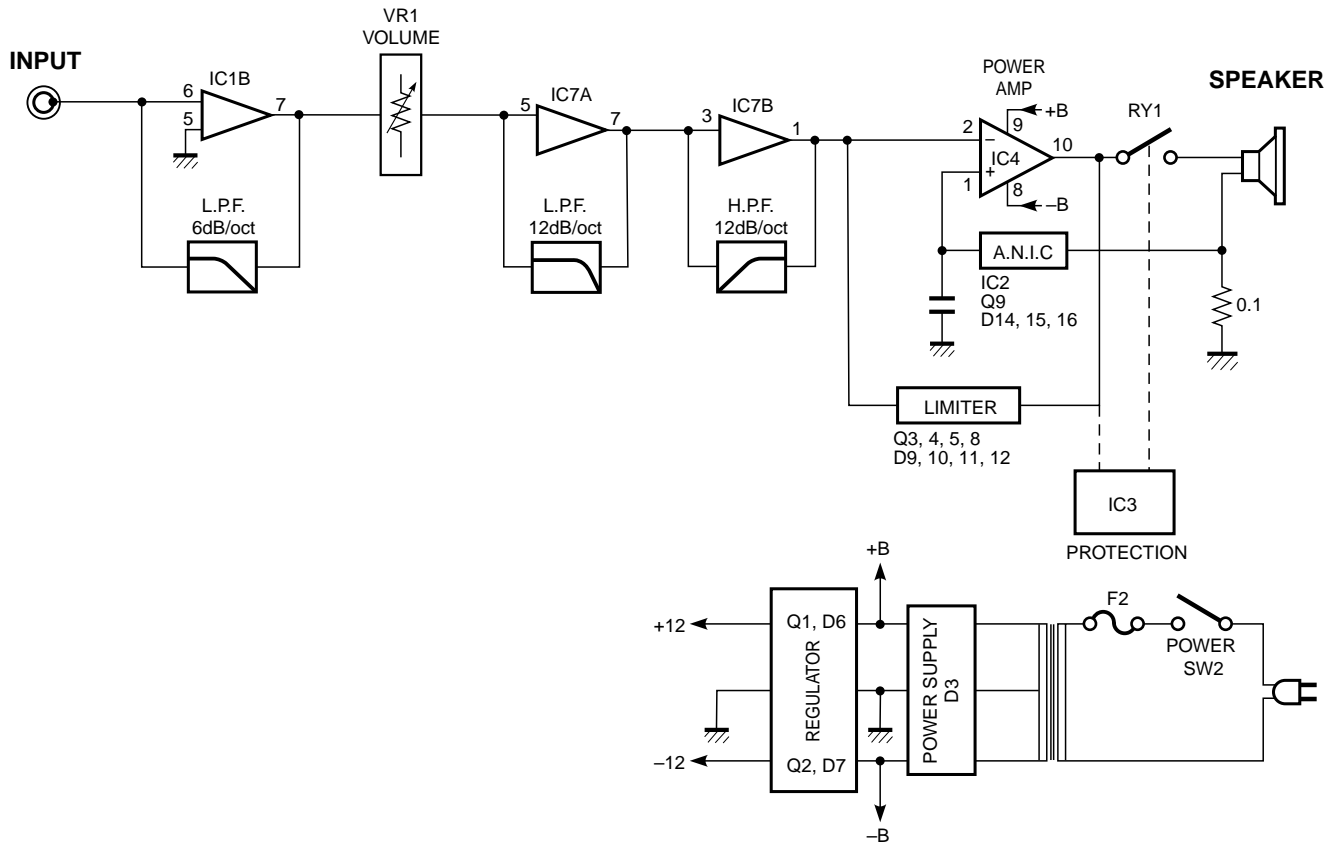


Fig. 2



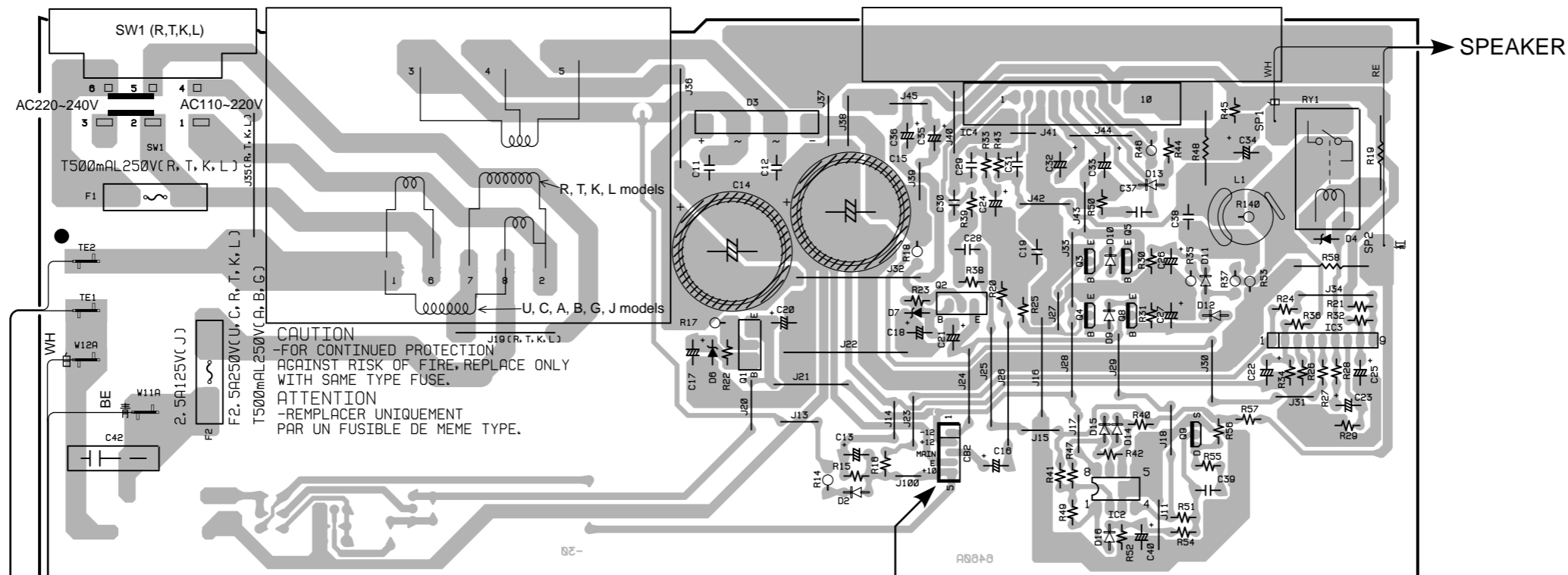
# SW-P240 BLOCK DIAGRAM



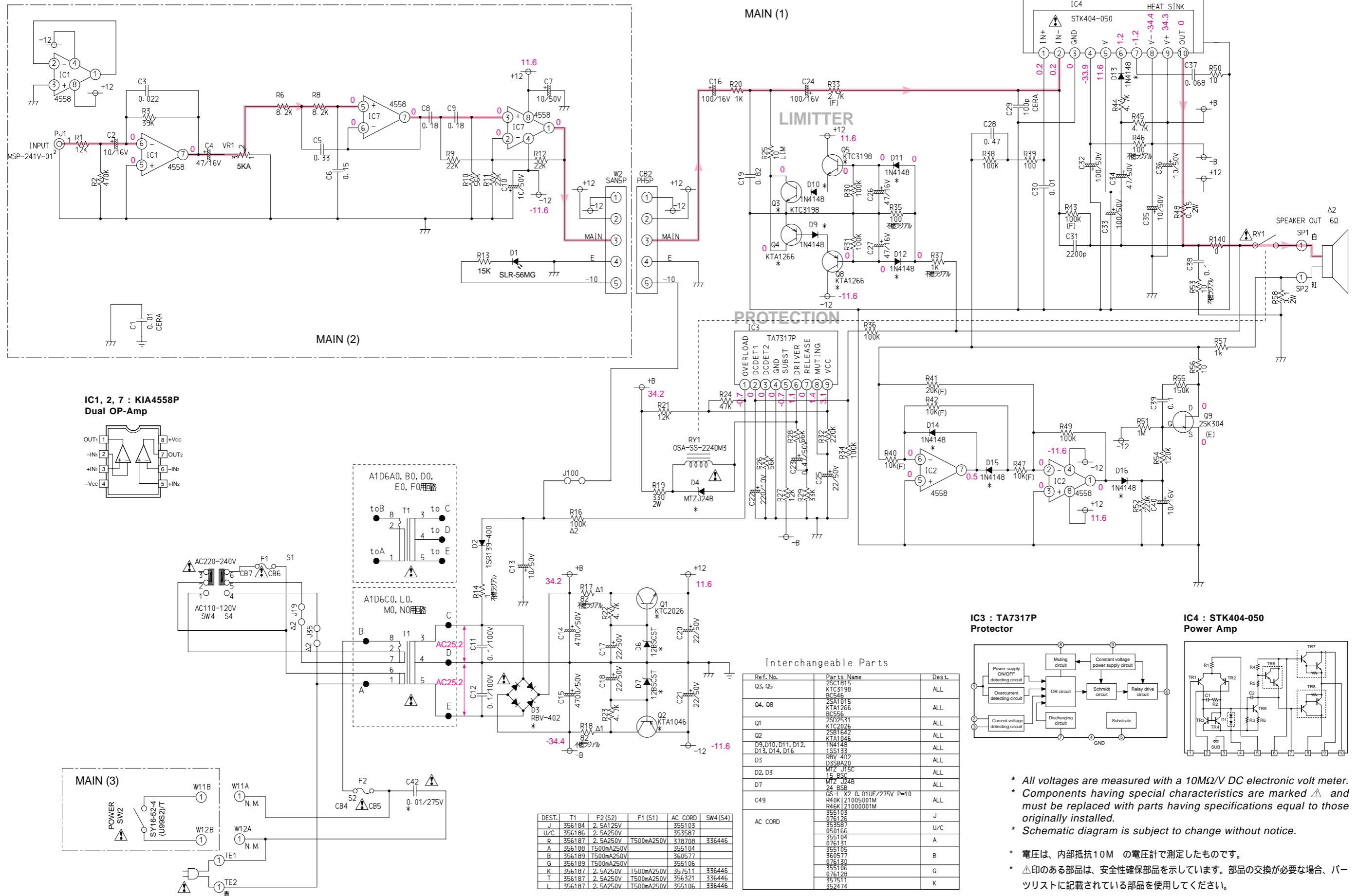
SW-P240 PRINTED CIRCUIT BOARD

SW-P240

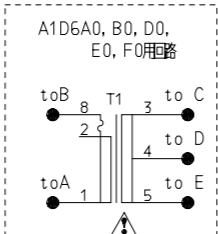
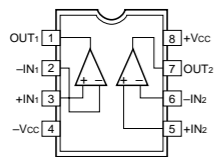
P.C.B. MAIN (1)



SW-P240 SCHEMATIC DIAGRAM



IC1, 2, 7 : KIA4558P Dual OP-Amp

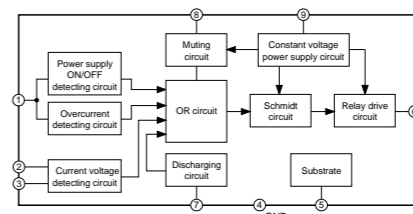


Interchangeable Parts

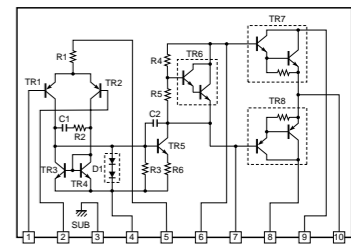
Ref. No.	Parts Name	Dest.
Q3, Q5	2SC1815	ALL
	KTC3198	ALL
	BC546	ALL
Q4, Q8	2SA1015	ALL
	KTA1266	ALL
	BC556	ALL
Q1	2SD2531	ALL
	KTC2026	ALL
Q2	2SB1542	ALL
	KTA1046	ALL
D9, D10, D11, D12, D13, D14, D16	1SS133	ALL
D3	RBV-402	ALL
	D3SBA20	ALL
D2, D3	MTZ J15C	ALL
	15_BSC	ALL
D7	MTZ J24B	ALL
	74_B5B	ALL
C49	GS-L X2 0.01UF/275V P=10	ALL
	R40K121005001M	ALL
	R46K121000001M	ALL
	355103	J
	076126	J
	353587	U/C
	050166	U/C
	355194	A
	076131	A
	355105	B
	360577	B
	355106	B
	076130	B
	355106	B
	076128	G
	355106	G
	076126	G
	357511	K
	352474	K

DEST.	T1	F2 (S2)	F1 (S1)	AC CORD	SW4 (S4)
J	356184	2.5A125V		355103	
U/C	356186	2.5A250V		353587	
R	356187	2.5A250V	T500mA250V	378708	336446
A	356188	T500mA250V		355104	
B	356189	T500mA250V		360577	
G	356189	T500mA250V		355106	
K	356187	2.5A250V	T500mA250V	357511	336446
T	356187	2.5A250V	T500mA250V	356321	336446
L	356187	2.5A250V	T500mA250V	355106	336446

IC3 : TA7317P Protector



IC4 : STK404-050 Power Amp



\* All voltages are measured with a 10MΩ/V DC electronic volt meter.  
 \* Components having special characteristics are marked  $\Delta$  and must be replaced with parts having specifications equal to those originally installed.  
 \* Schematic diagram is subject to change without notice.

\* 電圧は、内部抵抗10MΩの電圧計で測定したものです。  
 \*  $\Delta$ 印のある部品は、安全性確保部品を示しています。部品の交換が必要な場合、パーツリストに記載されている部品を使用してください。  
 \* 本回路図は、標準回路図です。改良のため予告なく変更することがございます。

# PARTS LIST

## ■ ELECTRICAL PARTS

### ■ WARNING

- Components having special characteristics are marked  $\triangle$  and must be replaced with parts having specifications equal to those originally installed.

$\triangle$ 印のある部分は、安全確保部品を示しています。部品の交換が必要な場合、パーツリストに記載されている部品を使用してください。

### ABBREVIATIONS IN THIS LIST ARE AS FOLLOWS :

C.A.EL.CHP	: CHIP ALUMI. ELECTROLYTIC CAP	L.DTCT	: LIGHT DETECTING MODULE
C.CE	: CERAMIC CAP	L.EMIT	: LIGHT EMITTING MODULE
C.CE.ARRAY	: CERAMIC CAP ARRAY	LED.DSPLY	: LED DISPLAY
C.CE.CHP	: CHIP CERAMIC CAP	LED.INFRD	: LED, INFRARED
C.CE.ML	: MULTILAYER CERAMIC CAP	MODUL.RF	: MODULATOR, RF
C.CE.M.CHP	: CHIP MULTILAYER CERAMIC CAP	PHOT.CPL	: PHOTO COUPLER
C.CE.SAFTY	: RECOGNIZED CERAMIC CAP	PHOT.INTR	: PHOTO INTERRUPTER
C.CE.TUBLR	: CERAMIC TUBULAR CAP	PHOT.RFLCT	: PHOTO REFLECTOR
C.CE.SMI	: SEMI CONDUCTIVE CERAMIC CAP	PIN.TEST	: PIN, TEST POINT
C.EL	: ELECTROLYTIC CAP	PLST.RIVET	: PLASTIC RIVET
C.MICA	: MICA CAP	R.ARRAY	: RESISTOR ARRAY
C.ML.FLM	: MULTILAYER FILM CAP	R.CAR	: CARBON RESISTOR
C.MP	: METALLIZED PAPER CAP	R.CAR.CHP	: CHIP RESISTOR
C.MYLAR	: MYLAR FILM CAP	R.CAR.FP	: FLAME PROOF CARBON RESISTOR
C.MYLAR.ML	: MULTILAYER MYLAR FILM CAP	R.FUS	: FUSABLE RESISTOR
C.PAPER	: PAPER CAPACITOR	R.MTL.CHP	: CHIP METAL FILM RESISTOR
C.PLS	: POLYSTYRENE FILM CAP	R.MTL.FLM	: METAL FILM RESISTOR
C.POL	: POLYESTER FILM CAP	R.MTL.OXD	: METAL OXIDE FILM RESISTOR
C.POLY	: POLYETHYLENE FILM CAP	R.MTL.PLAT	: METAL PLATE RESISTOR
C.PP	: POLYPROPYLENE FILM CAP	RSNR.CE	: CERAMIC RESONATOR
C.TNTL	: TANTALUM CAP	RSNR.CRYS	: CRYSTAL RESONATOR
C.TNTL.CHP	: CHIP TANTALUM CAP	R.TW.CEM	: TWIN CEMENT FIXED RESISTOR
C.TRIM	: TRIMMER CAP	R.WW	: WIRE WOUND RESISTOR
CN	: CONNECTOR	SCR.BND.HD	: BIND HEAD B-TITE SCREW
CN.BS.PIN	: CONNECTOR, BASE PIN	SCR.BW.HD	: BW HEAD TAPPING SCREW
CN.CANNON	: CONNECTOR, CANNON	SCR.CUP	: CUP TITE SCREW
CN.DIN	: CONNECTOR, DIN	SCR.TERM	: SCREW TERMINAL
CN.FLAT	: CONNECTOR, FLAT CABLE	SCR.TR	: SCREW, TRANSISTOR
CN.POST	: CONNECTOR, BASE POST	SUPRT.PCB	: SUPPORT, P.C.B.
COIL.MX.AM	: COIL, AM MIX	SURG.PRTCT	: SURGE PROTECTOR
COIL.AT.FM	: COIL, FM ANTENNA	SW.TACT	: TACT SWITCH
COIL.DT.FM	: COIL, FM DETECT	SW.LEAF	: LEAF SWITCH
COIL.MX.FM	: COIL, FM MIX	SW.LEVER	: LEVER SWITCH
COIL.OUTPT	: OUTPUT COIL	SW.MICRO	: MICRO SWITCH
DIOD.ARRAY	: DIODE ARRAY	SW.PUSH	: PUSH SWITCH
DIODE.BRG	: DIODE BRIDGE	SW.RT.ENC	: ROTARY ENCODER
DIODE.CHP	: CHIP DIODE	SW.RT.MTR	: ROTARY SWITCH WITH MOTOR
DIODE.SHOT	: SCHOTTKY BARRIER DIODE	SW.RT	: ROTARY SWITCH
DIODE.VAR	: VARACTOR DIODE	SW.SLIDE	: SLIDE SWITCH
DIOD.Z.CHP	: CHIP ZENER DIODE	TERM.SP	: SPEAKER TERMINAL
DIODE.ZENR	: ZENER DIODE	TERM.WRAP	: WRAPPING TERMINAL
DSCR.CE	: CERAMIC DISCRIMINATOR	THRMST.CHP	: CHIP THERMISTOR
FER.BEAD	: FERRITE BEADS	TR.CHP	: CHIP TRANSISTOR
FER.CORE	: FERRITE CORE	TR.DGT	: DIGITAL TRANSISTOR
FET.CHP	: CHIP FET	TR.DGT.CHP	: CHIP DIGITAL TRANSISTOR
FL.DSPLY	: FLUORESCENT DISPLAY	TRANS	: TRANSFORMER
FLTR.CE	: CERAMIC FILTER	TRANS.PULS	: PULSE TRANSFORMER
FLTR.COMB	: COMB FILTER MODULE	TRANS.PWR	: POWER TRANSFORMER ASS'y
FLTR.LC.RF	: LC FILTER, EMI	TUNER.AM	: TUNER PACK, AM
GND.MTL	: GROUND PLATE	TUNER.FM	: TUNER PACK, FM
GND.TERM	: GROUND TERMINAL	TUNER.PK	: FRONT-END TUNER PACK
HOLDER.FUS	: FUSE HOLDER	VR	: ROTARY POTENTIOMETER
IC.PRTCT	: IC PROTECTOR	VR.MTR	: POTENTIOMETER WITH MOTOR
JUMPER.CN	: JUMPER CONNECTOR	VR.SW	: POTENTIOMETER WITH ROTARY SW
JUMPER.TST	: JUMPER, TEST POINT	VR.SLIDE	: SLIDE POTENTIOMETER
		VR.TRIM	: TRIMMER POTENTIOMETER

## SW-P240 P.C.B. MAIN

Ref. No.	PART NO.	Description	Remarks	Markets	部品名	Rank		
*	AAX53680	P.C.B.	MAIN	389948	J	P C B メイン		
*	AAX53690	P.C.B.	MAIN	389949	UC	P C B メイン		
*	AAX53700	P.C.B.	MAIN	389950	RTKL	P C B メイン		
*	AAX53710	P.C.B.	MAIN	389951	ABG	P C B メイン		
	CB2	AAX32010	CN	B05B-PH-K-S	081702		コネクタ	01
	CB4-5	VP206500	HOLDER.FUS	EYF-52BCT	074277		ヒューズホルダー	01
	CB6-7	VP206500	HOLDER.FUS	EYF-52BCT	074277	RTKL	ヒューズホルダー	01
	C1	FG644100	C.CE	0.01uF 50V	065452		セラコン	01
	C2	UR837100	C.EL	10uF 16V	353104		ケミコン	01
	C3	UA654220	C.POL	0.022uF 50V	360029		ポリエステルフィルムコン	01
	C4	UR837470	C.EL	47uF 16V	338563		ケミコン	01
	C5	UA655330	C.POL	0.33uF 50V	352299		ポリエステルフィルムコン	01
	C6	UA655150	C.POL	0.15uF 50V	368082		ポリエステルフィルムコン	01
	C7	UR867100	C.EL	10uF 50V	338565		ケミコン	01
	C8	UA655180	C.POL	0.18uF 50V	368083		ポリエステルフィルムコン	01
	C9	UA655180	C.POL	0.18uF 50V	368083		ポリエステルフィルムコン	01
	C10	UR867100	C.EL	10uF 50V	338565		ケミコン	01
	C11	UA655100	C.POL	0.1uF 50V	360033		ポリエステルフィルムコン	01
	C12	UA655100	C.POL	0.1uF 50V	360033		ポリエステルフィルムコン	01
	C13	UR867100	C.EL	10uF 50V	338565		ケミコン	01
	C14	VG892500	C.EL	4700uF 50V	332929		ケミコン	05
	C15	VG892500	C.EL	4700uF 50V	332929		ケミコン	05
	C16	UR838100	C.EL	100uF 16V	353103		ケミコン	01
	C17	UR867220	C.EL	22uF 50V	356201		ケミコン	01
	C18	UR867220	C.EL	22uF 50V	356201		ケミコン	01
	C19	UA655820	C.POL	0.82uF 50V	352307		ポリエステルフィルムコン	01
	C20	UR867220	C.EL	22uF 50V	356201		ケミコン	01
	C21	UR867220	C.EL	22uF 50V	356201		ケミコン	01
	C22	UR828220	C.EL	220uF 10V	339076		ケミコン	01
	C23	UR865470	C.EL	0.47uF 50V	358226		ケミコン	01
	C24	UR838100	C.EL	100uF 16V	353103		ケミコン	01
	C25	UR867220	C.EL	22uF 50V	356201		ケミコン	01
	C26	UR837470	C.EL	47uF 16V	338563		ケミコン	01
	C27	UR837470	C.EL	47uF 16V	338563		ケミコン	01
	C28	UA655470	C.POL	0.47uF 50V	352302		ポリエステルフィルムコン	01
	C29	AAX09530	C.CE	100pF 50V	065382		セラコン	
	C30	UA654100	C.POL	0.01uF 50V	360028		ポリエステルフィルムコン	01
	C31	UA653220	C.POL	2200pF 50V	360024		ポリエステルフィルムコン	01
	C32	UR868100	C.EL	100uF 50V	353102		ケミコン	01
	C33	UR868100	C.EL	100uF 50V	353102		ケミコン	01
	C34	UR867470	C.EL	47uF 50V	356202		ケミコン	01
	C35	UR867100	C.EL	10uF 50V	338565		ケミコン	01
	C36	UR867100	C.EL	10uF 50V	338565		ケミコン	01
	C37	UA654680	C.POL	0.068uF 50V	360032		ポリエステルフィルムコン	02
	C38	UA655100	C.POL	0.1uF 50V	360033		ポリエステルフィルムコン	01
	C39	UA655100	C.POL	0.1uF 50V	360033		ポリエステルフィルムコン	01
	C40	UR837100	C.EL	10uF 16V	353104		ケミコン	01
△	C42	V6185300	C.CE.SAFTY	0.01uF 275V			規格認定コン	
*	D1	AAX42920	LED	GR SLR-56MG	069930		L E D	02
	D2	VU264100	DIODE	1SR139-400	069536		ダイオード	01
△	D3	VC971500	DIODE.BRG	RBV-402 4A 200V	069612		ダイオード	03
*	D4	AAX51650	DIODE.ZENR	24BSBST	366911		ツェナーダイオード	
*	D6	AAX51640	DIODE.ZENR	12BSCST	366910		ツェナーダイオード	

\* New Parts (新規部品)

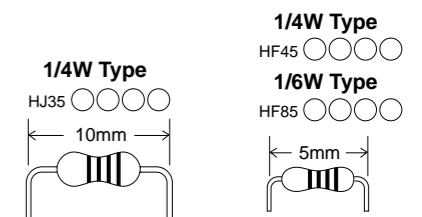
**Note)** Those parts marked with “#” are not included in the P.C.B. ass'y. (マーク#の部品は、基板に含まれません)

SW-P240 P.C.B. MAIN

Parts List for Carbon Resistors

Ref. No.	PART NO.	Description	Remarks	Markets	部品名	Rank
* D7	AAX51640	DIODE.ZENR	12BSCST		ツェナーダイオード	
D9	AAX33180	DIODE	1N4148ST(D034)		ダイオード	02
D10-16	AAX33180	DIODE	1N4148ST(D034)		ダイオード	02
△* F1	AAX33350	FUSE	500mA 250V	RTKL	ヒューズ	
△ F2	AAX33340	FUSE	2.5A 250V	JUCRTKL	ヒューズ	
△* F2	AAX33350	FUSE	500mA 250V	ABG	ヒューズ	
IC1	AAX41390	IC	K1A4558P		IC	03
IC2	AAX41390	IC	K1A4558P		IC	03
* IC3	AAX51450	IC	TA7317P		IC	
△ IC4	AAX13490	IC	STK404-050 AF		IC	08
IC7	AAX41390	IC	K1A4558P		IC	03
* PJ1	AAX51700	JACK	1P MSP-241V-01		ピンジャック	
* Q1	AAX51690	TR	KTC2026 Y,GR		トランジスター	
* Q2	AAX51680	TR	KTA1046 Y,GR		トランジスター	
Q3	AAX41650	TR	KTC3198 GR		トランジスター	01
Q4	AAX41660	TR	KTA1266 GR		トランジスター	01
Q5	AAX41650	TR	KTC3198 GR		トランジスター	01
Q8	AAX41660	TR	KTA1266 GR		トランジスター	01
Q9	AAX09180	FET	2SK304 E		F E T	03
R14	AAX11950	R.CAR.FP	1 1/4W		不燃化カーボン抵抗	01
R17	HV454820	R.CAR.FP	82 1/4W		不燃化カーボン抵抗	01
R18	HV454820	R.CAR.FP	82 1/4W		不燃化カーボン抵抗	01
R19	HL325330	R.MTL.OXD	330 2W		酸化金属被膜抵抗	01
R33	HB026270	R.MTL.FLM	2.7K 1/4W		金属被膜抵抗	01
R35	AAX11860	R.CAR.FP	100 1/4W		不燃化カーボン抵抗	01
R37	AAX11880	R.CAR.FP	1K 1/4W		不燃化カーボン抵抗	01
R40	HB027100	R.MTL.FLM	10K 1/4W		金属皮膜抵抗	
R41	HB027200	R.MTL.FLM	20K 1/4W		金属被膜抵抗	
R42	HB027100	R.MTL.FLM	10K 1/4W		金属皮膜抵抗	
R43	HB028100	R.MTL.FLM	100K 1/4W		金属被膜抵抗	
R46	AAX11860	R.CAR.FP	100 1/4W		不燃化カーボン抵抗	01
R47	HB027100	R.MTL.FLM	10K 1/4W		金属皮膜抵抗	
R48	Vi294900	R.MTL.OXD	0.15 2W		酸化金属被膜抵抗	02
R53	AAX11870	R.CAR.FP	10 1/4W		不燃化カーボン抵抗	01
R58	HL922100	R.MTL.OXD	0.1 2W		酸化金属被膜抵抗	01
△ RY1	VU161600	RELAY	OSA-SS-224DM3		リレー	05
△ SW2	AAX31140	SW	SY16-52-4(U99S2)/T		パワースイッチ	05
△ SW4	AAX32040	SW	ESD26606A	RTKL	スライドSW	08
TE1-2	XX707320	PIN	IPS-5007		ピン	01
* VR1	AAX53790	VR	5KA RK11K1120D11		ポリウム	
	BB071360	TERM	EARTH		ターミナル	01

Value	1/4W Type Part No.	1/6W Type Part No.	Value	1/4W Type Part No.	1/6W Type Part No.
1.0 ohms	HJ35 3100	HF85 3100	10 k-ohms	HF45 7100	HF45 7100
1.8 ohms	HJ35 3180	*	11 k-ohms	HF45 7110	HF45 7110
2.2 ohms	HJ35 3220	HF85 3220	12 k-ohms	HJ35 7120	HF85 7120
3.3 ohms	HJ35 3330	HF85 3330	13 k-ohms	HF45 7130	HF45 7130
4.7 ohms	HJ35 3470	HF85 3470	15 k-ohms	HF45 7150	HF45 7150
5.6 ohms	HJ35 3560	HF85 3560	18 k-ohms	HF45 7180	HF45 7180
10 ohms	HF45 4100	HF45 4100	22 k-ohms	HF45 7220	HF45 7220
15 ohms	HJ35 4150	HF85 4150	24 k-ohms	HF45 7240	HF45 7240
22 ohms	HF45 4220	HF45 4220	27 k-ohms	HJ35 7270	HF85 7270
27 ohms	HJ35 4270	HF85 4270	30 k-ohms	HF45 7300	HF45 7300
33 ohms	HF45 4330	HF45 4330	33 k-ohms	HF45 7330	HF45 7330
39 ohms	HJ35 4470	HF85 4390	36 k-ohms	HF45 7360	HF45 7360
47 ohms	HF45 4470	HF45 4470	39 k-ohms	HF45 7390	HF45 7390
56 ohms	HF45 4560	HF45 4560	47 k-ohms	HF45 7470	HF45 7470
68 ohms	HF45 4680	HF45 4680	51 k-ohms	HF45 7510	HF45 7510
75 ohms	HF45 4750	HF45 4750	56 k-ohms	HF45 7560	HF45 7560
82 ohms	HF45 4820	HF45 4820	62 k-ohms	HF45 7620	HF45 7620
91 ohms	HF45 4910	HF45 4910	68 k-ohms	HF45 7680	HF45 7680
100 ohms	HF45 5100	HF45 5100	82 k-ohms	HF45 7820	HF45 7820
110 ohms	HJ35 5110	HF85 5110	91 k-ohms	HF45 7910	HF45 7910
120 ohms	HF45 5120	HF45 5120	100 k-ohms	HF45 8100	HF45 8100
150 ohms	HF45 5150	HF45 5150	110 k-ohms	HF45 8110	HF45 8110
160 ohms	HJ35 5160	*	120 k-ohms	HF45 8120	HF45 8120
180 ohms	HF45 5180	HF45 5180	150 k-ohms	HF45 8150	HF45 8150
200 ohms	HF45 5200	HF45 5200	180 k-ohms	HF45 8180	HF45 8180
220 ohms	HF45 5220	HF45 5220	220 k-ohms	HJ35 8220	HF85 8220
270 ohms	HF45 5270	HF45 5270	270 k-ohms	HF45 8270	HF45 8270
330 ohms	HF45 5330	HF45 5330	300 k-ohms	HF45 8300	HF45 8300
390 ohms	HF45 5390	HF45 5390	330 k-ohms	HF45 8330	HF45 8330
430 ohms	HF45 5430	HF45 5430	390 k-ohms	HJ35 8390	HF85 8390
470 ohms	HF45 5470	HF45 5470	470 k-ohms	HF45 8470	HF45 8470
510 ohms	HF45 5510	HF45 5510	560 k-ohms	HJ35 8560	HF85 8560
560 ohms	HF45 5560	HF45 5560	680 k-ohms	HJ35 8680	HF85 8680
680 ohms	HF45 5680	HF45 5680	820 k-ohms	HJ35 8820	HF85 8820
820 ohms	HF45 5820	HF45 5820	1.0 M-ohms	HF45 9100	HF45 9100
910 ohms	HF45 5910	HF45 5910	1.2 M-ohms	HJ35 9120	*
1.0 k-ohms	HF45 6100	HF45 6100	1.5 M-ohms	HJ35 9150	HF85 9150
1.2 k-ohms	HF45 6120	HF45 6120	1.8 M-ohms	HJ35 9180	HF85 9180
1.5 k-ohms	HF45 6150	HF45 6150	2.2 M-ohms	HJ35 9220	HF85 9220
1.8 k-ohms	HF45 6180	HF45 6180	3.3 M-ohms	HJ35 9330	HF85 9330
2.0 k-ohms	HJ35 6200	HF85 6200	3.9 M-ohms	HJ35 9390	*
2.2 k-ohms	HF45 6220	HF45 6220	4.7 M-ohms	HJ35 9470	HF85 9470
2.4 k-ohms	HJ35 6240	HF85 6240			
2.7 k-ohms	HF45 6270	HF45 6270			
3.0 k-ohms	HF45 6300	HF45 6300			
3.3 k-ohms	HF45 6330	HF45 6330			
3.6 k-ohms	HJ35 6360	HF85 6360			
3.9 k-ohms	HF45 6390	HF45 6390			
4.7 k-ohms	HF45 6470	HF45 6470			
5.1 k-ohms	HF45 6510	HF45 6510			
5.6 k-ohms	HF45 6560	HF45 6560			
6.8 k-ohms	HF45 6680	HF45 6680			
8.2 k-ohms	HF45 6820	HF45 6820			
9.1 k-ohms	HF45 6910	HF45 6910			

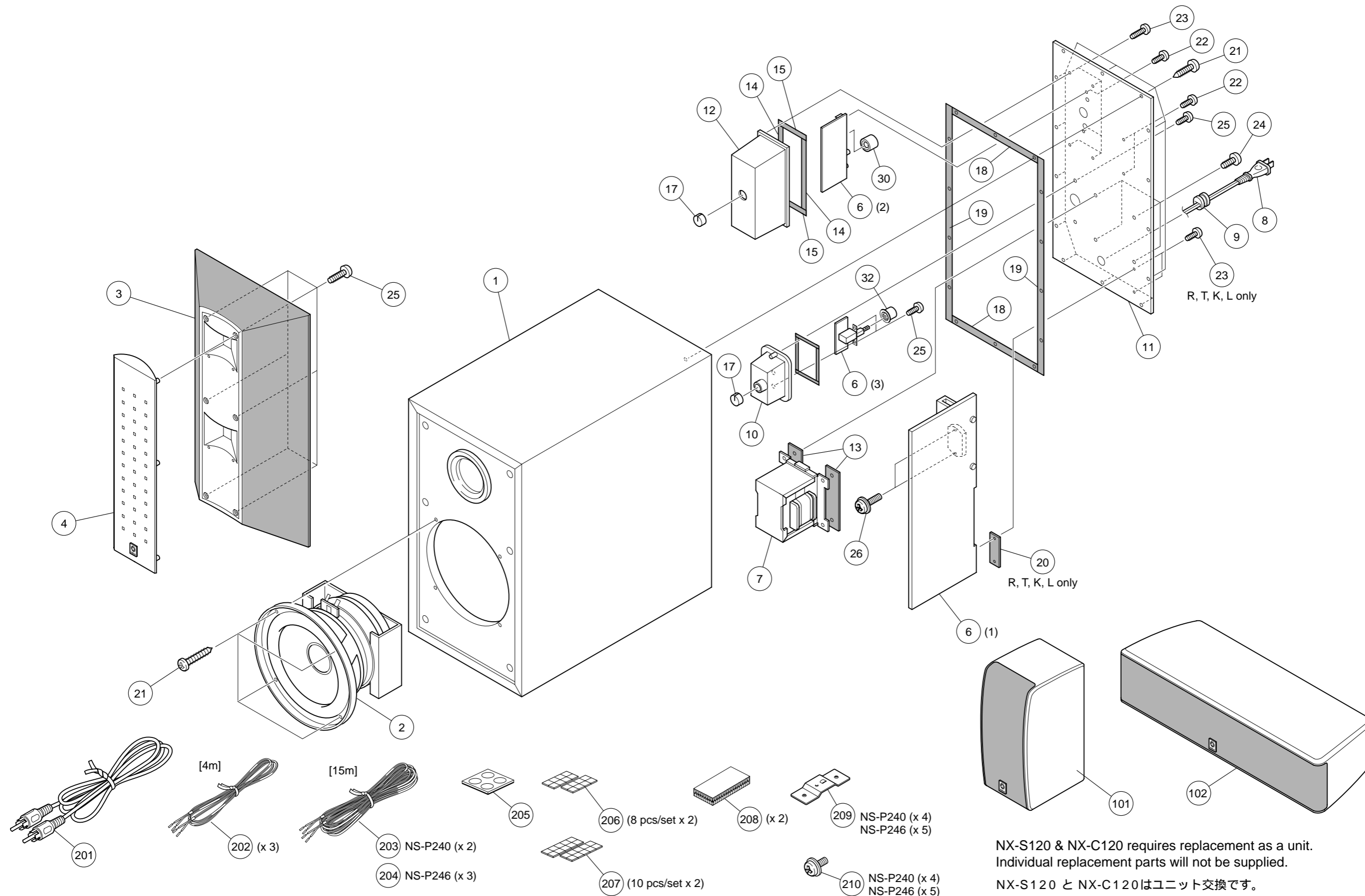


\* New Parts (新規部品)

Note) Those parts marked with “#” are not included in the P.C.B. ass'y. (マーク#の部品は、基板に含まれません)

NS-P240/NS-P246

## EXPLODED VIEW



## MECHANICAL PARTS

Ref. No.	PART NO.	Description	Remarks	Markets	部品名	Rank
1	AAX51500	CABINET ASS'Y	SI		キャビネットASSY	
* 1	AAX53720	CABINET ASS'Y	BL		キャビネットASSY	
2	X4329A00	DRIVER, WOOFER	16cm 6 25W		スピーカーユニット	10
3	AAX51710	FRONT GRILLE ASS'Y	SI		フロントグリルASSY	
* 3	AAX53770	FRONT GRILLE ASS'Y	BL		フロントグリルASSY	
4	AAX51720	FRONT PANEL ASS'Y	SI		フロントパネルASSY	
* 4	AAX53780	FRONT PANEL ASS'Y	BL		フロントパネルASSY	
* 6	AAX53680	P.C.B. ASS'Y	MAIN	J	PCB メイン	
* 6	AAX53690	P.C.B. ASS'Y	MAIN	UC	PCB メイン	
* 6	AAX53700	P.C.B. ASS'Y	MAIN	RTKL	PCB メイン	
* 6	AAX53710	P.C.B. ASS'Y	MAIN	ABG	PCB メイン	
△ 7	AAX32110	POWER TRANSFORMER		J	電源トランス	14
△* 7	AAX32120	POWER TRANSFORMER		UC	電源トランス	
△* 7	AAX32130	POWER TRANSFORMER		RTKL	電源トランス	
△* 7	AAX32140	POWER TRANSFORMER		A	電源トランス	
△* 7	AAX32150	POWER TRANSFORMER		BG	電源トランス	
△ 8	V2723100	POWER CABLE	1.8m	J	電源コード	07
△ 8	V8366300	POWER CABLE	2m	UC	電源コード	04
△ 8	VZ555600	POWER CABLE	2m	RT	電源コード	05
△* 8	V8012900	POWER CABLE	2m	K	電源コード	
△ 8	V8366500	POWER CABLE	2m	A	電源コード	04
△ 8	V8366600	POWER CABLE	2m	B	電源コード	08
△ 8	V8366400	POWER CABLE	2m	GL	電源コード	04
9	CB072750	CORD STOPPER	SR-4N-4		コードストッパー	01
10	AAX31050	COVER			カバー	03
* 11	AAX53800	REAR PANEL		J	リアパネル	
* 11	AAX53810	REAR PANEL		UC	リアパネル	
* 11	AAX53820	REAR PANEL		RTKL	リアパネル	
* 11	AAX53830	REAR PANEL		A	リアパネル	
* 11	AAX53840	REAR PANEL		BG	リアパネル	
12	AAX51750	MOLD COVER			モールドカバー	
13	AAX51530	CUSHION	18x90		クッション	
14	AAX51520	CUSHION	3x120		クッション	
15	AAX51510	CUSHION	3x50		クッション	
17	AAX31970	CUSHION, BUSH			クッション	
18	AAX31980	CUSHION	170x10x2		クッション	
19	AAX31990	CUSHION	335x10x2		クッション	
20	AAX13660	CUSHION, SWITCH		RTKL	クッション、SW	
21	AAX12120	BIND HEAD TAPPING SCREW	4x20 MFZ2BL		バインドTPネジ	01
22	EP600190	BIND HEAD B-TIGHT SCREW	3x8 MFZ2BL		バインドBタイトネジ	01
23	EP600140	BIND HEAD B-TIGHT SCREW	3x10 MFZ2BL		バインドBタイトネジ	01
24	EG340190	BIND HEAD B-TIGHT SCREW	4x8 MFZ2BL		バインドBタイトネジ	01
25	EK395050	BIND HEAD B-TIGHT SCREW	3x12 MFZ2BL	JUCABG	バインドBタイトネジ	01
26	AAX51590	SEMS BIND HEAD B-TIGHT SCREW	3x16 MFZ2Y		セムスナベBタイトネジ	
30	AAX13600	VOLUME KNOB			ボリューム ノブ	01
32	AAX31020	BUTTON POWER			ボタン/パワー	01
* 101	AAX51540	SATELLITE SPEAKER UNIT	SILVER	J	サテライトSPユニット	
* 101	AAX51560	SATELLITE SPEAKER UNIT	SILVER	UCTKABG	サテライトSPユニット	
* 101	AAX51570	SATELLITE SPEAKER UNIT	SILVER	RL	サテライトSPユニット	
* 101	AAX53730	SATELLITE SPEAKER UNIT	BLACK	UCGA	サテライトSPユニット	
* 101	AAX53740	SATELLITE SPEAKER UNIT	BLACK	R	サテライトSPユニット	
* 102	AAX51610	CENTER SPEAKER UNIT	SILVER	JUCTKABG	センターSPユニット	
* 102	AAX51630	CENTER SPEAKER UNIT	SILVER	RL	センターSPユニット	

\* New Parts (新規部品)

Ref. No.	PART NO.	Description	Remarks	Markets	部品名	Rank
* 102	AAX53750	CENTER SPEAKER UNIT	BLACK	UCGA	センターSPユニット	
* 102	AAX53760	CENTER SPEAKER UNIT	BLACK	R	センターSPユニット	
		ACCESSORIES			付属品	
201	AAX51580	SUBWOOFER CABLE	1P 5m 1pc		サブウーファーケーブル	
202	AAX13670	SPEAKER CABLE ASS'Y	4m 3pcs/set		スピーカーケーブル	07
203	AAX12220	SPEAKER CABLE ASS'Y	15m 2pcs/set	(NS-P240)	スピーカーケーブル	12
204	AAX34760	SPEAKER CABLE ASS'Y	15m 3pcs/set	(NS-P246)	スピーカーケーブル	09
205	V5982400	NON SKID PAD	M25 t2 4pcs/set		滑止パッド	03
206	AAX20410	NON SKID PAD	7x7x1 8pcs/set	(NS-P240)	滑止パッド	04
* 207	AAX53850	NON SKID PAD	7x7x1 10pcs/set	(NS-P246)	滑止パッド	
208	AAX21240	FASTENER	51.5x39x3.5 1pair		固定テープ	04
209	AAX34790	MOUNTING BRACKET	1pc		取付金具	03
210	AAX51600	SEMS PAN HEAD SCREW	4x10 MFZ2BL		セムスナベ子ネジ	

\* New Parts (新規部品)



MEMO

# NS-P240/NS-P246

---

# YAMAHA

---